

KINGDATRON ELECTRONIC INDUSTRIAL CO., LTD.

7th Flr., No.19, Lane 221, Gang Qian Rd., Taipei Taiwan 11494

TEL:+886 2 2659 6058 FAX:+886 2 2658 6059

E-Mail :sales@kingdatron.com.tw

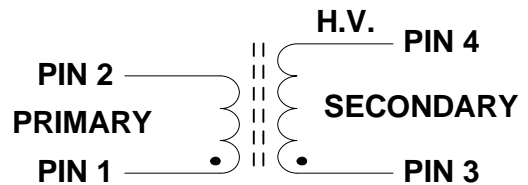
KEIC

IGNITION COIL

F TYPE SERIES

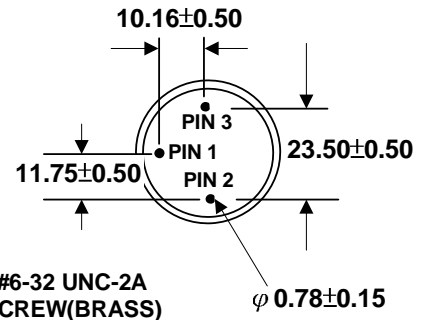
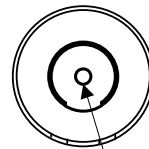
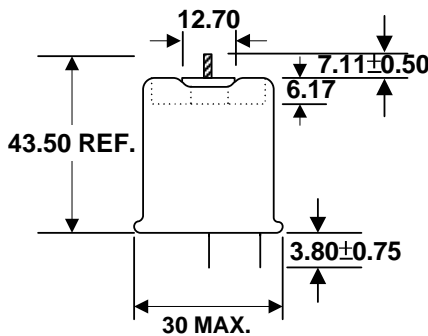
MODEL NO	TURNS RATIO	PRIMARY DCR	SECONDARY DCR	PRIMARY INDUCTANCE	SECONDARY INDUCTANCE	OUTPUT VOLTAGE (KVo-p)
RT-1128	1:195	0.1Ω MAX. @25°C	1.3KΩ MAX. @25°C	17.5uH±15% (1KHz,1V,Ls)	470mH±15% (1KHz,1V,Lp)	18±3
RT-1120						
MS-3570R						

OPERATING TEMPERATURE RANGE: -20°C TO +70°C
INSULATED WITH EPOXY RESIN.
REFERENCE CIRCUIT: G.I.071



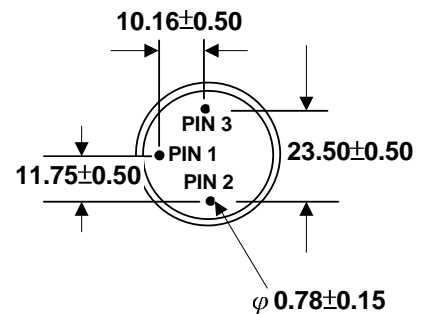
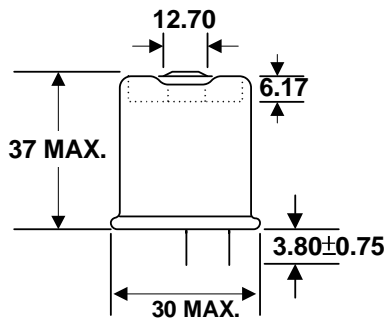
UNIT: mm

RT-1128



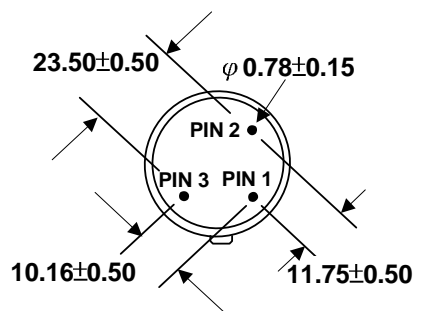
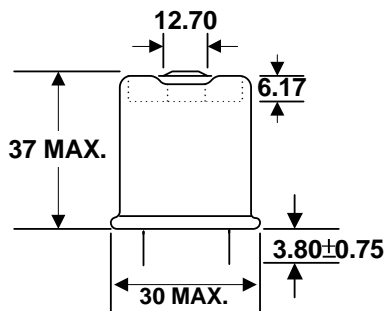
UNIT: mm

RT-1120



UNIT: mm

MS-3570R



KINGDATRON ELECTRONIC INDUSTRIAL CO., LTD.

7th Flr., No.19, Lane 221, Gang Qian Rd., Taipei Taiwan 11494

TEL:+886 2 2659 6058 FAX:+886 2 2658 6059

E-Mail :sales@kingdatron.com.tw

KEIC

IGNITION COIL

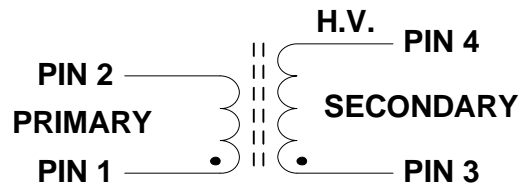
B TYPE SERIES

MODEL NO	TURNS RATIO	PRIMARY INDUCTANCE	SECONDARY INDUCTANCE	OUTPUT VOLTAGE (KVo-p)
RT-440	1:184.6	10uH±15% (1KHz,1V,Ls)	287mH±15% (1KHz,1V,Ls)	25KV REF.
RT-458	1:190	11uH±15% (1KHz,1V,Ls)	460mH±15% (1KHz,1V,Ls)	16KV REF.
RT-666				

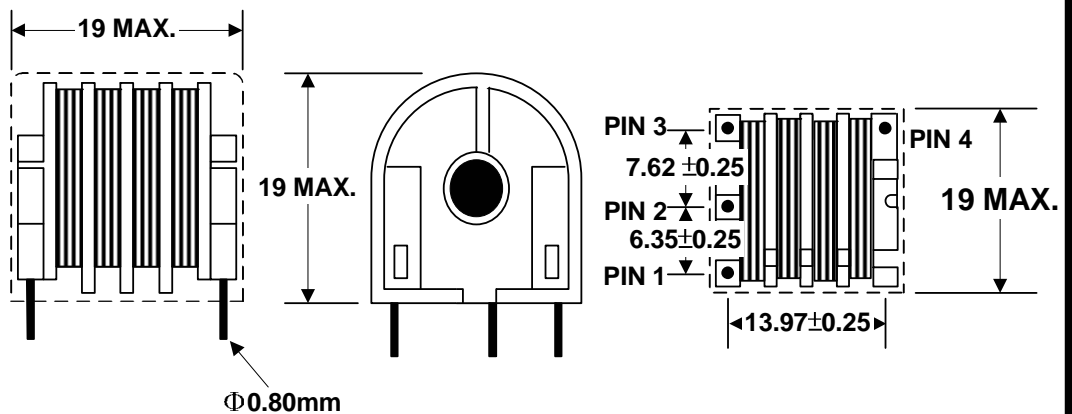
OPERATING TEMPERATURE RANGE: -20°C TO +70°C
INSULATED WITH EPOXY RESIN.

REFERENCE CIRCUIT: RT-440: G.I.061

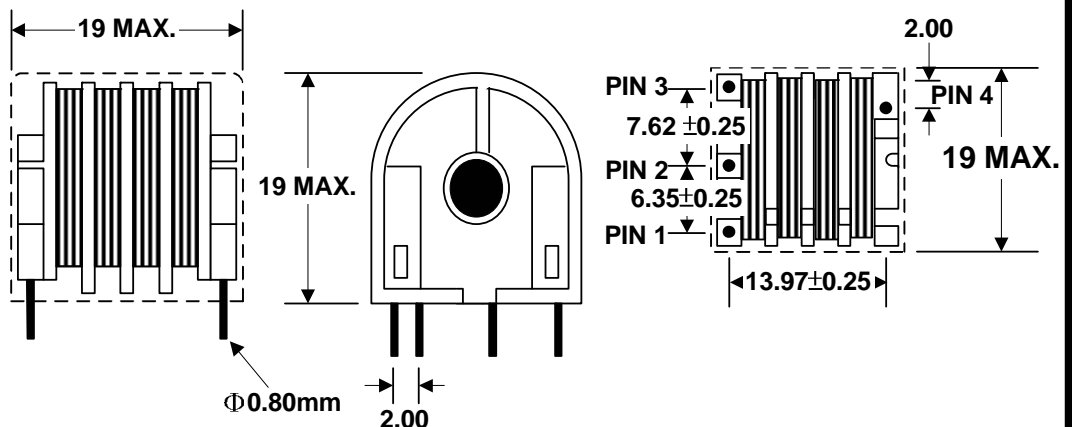
RT-458 & RT-666: G.I.105



UNIT: mm
RT-440
RT-666



UNIT: mm
RT-458



KINGDATRON ELECTRONIC INDUSTRIAL CO., LTD.

7th Flr., No.19, Lane 221, Gang Qian Rd., Taipei Taiwan 11494

TEL:+886 2 2659 6058 FAX:+886 2 2658 6059

E-Mail :sales@kingdatron.com.tw

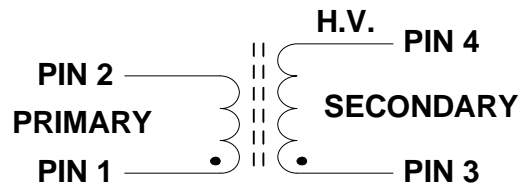
KEIC

IGNITION COIL

M TYPE SERIES

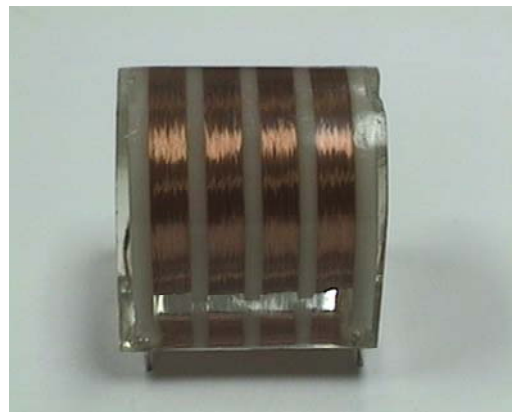
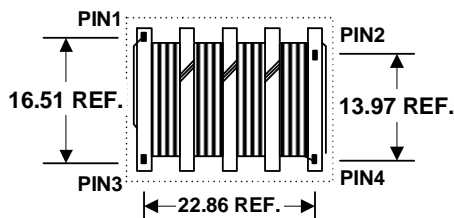
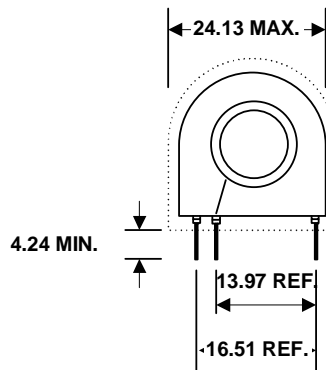
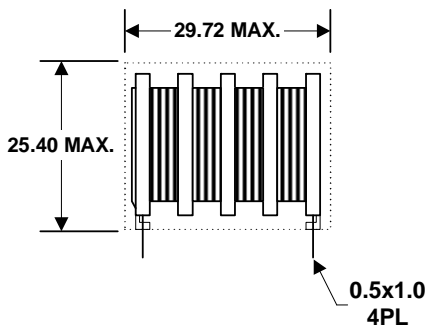
MODEL NO	TURNS RATIO	PRIMARY INDUCTANCE	SECONDARY INDUCTANCE	OUTPUT VOLTAGE (KVo-p)
RT-442	1:200	17.4uH±15% (1KHz,1V,Ls)	438mH±15% (1KHz,1V,Ls)	32KV REF.

OPERATING TEMPERATURE RANGE: -20°C TO +70°C
INSULATED WITH EPOXY RESIN.
REFERENCE CIRCUIT: G.I.060



UNIT: mm

RT-442



KINGDATRON ELECTRONIC INDUSTRIAL CO., LTD.

7th Flr., No.19, Lane 221, Gang Qian Rd., Taipei Taiwan 11494

TEL:+886 2 2659 6058 FAX:+886 2 2658 6059

E-Mail :sales@kingdatron.com.tw

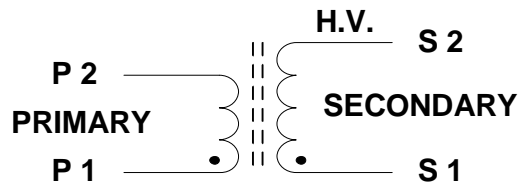
KEIC

IGNITION COIL

S TYPE SERIES

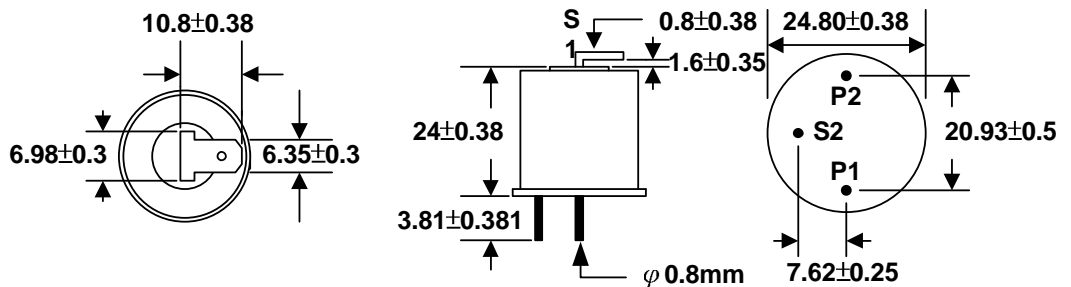
MODEL NO	TURNS RATIO	PRIMARY INDUCTANCE	SECONDARY INDUCTANCE	OUTPUT VOLTAGE (KVo-p)
RT-749A	1:217	5.9uH±15% (1KHz,1V,Ls)	270mH±15% (1KHz,1V,Ls)	18KV REF.
RT-749C				
RT-749D				

OPERATING TEMPERATURE RANGE: -20°C TO +70°C
INSULATED WITH EPOXY RESIN.
REFERENCE CIRCUIT: G.I.071



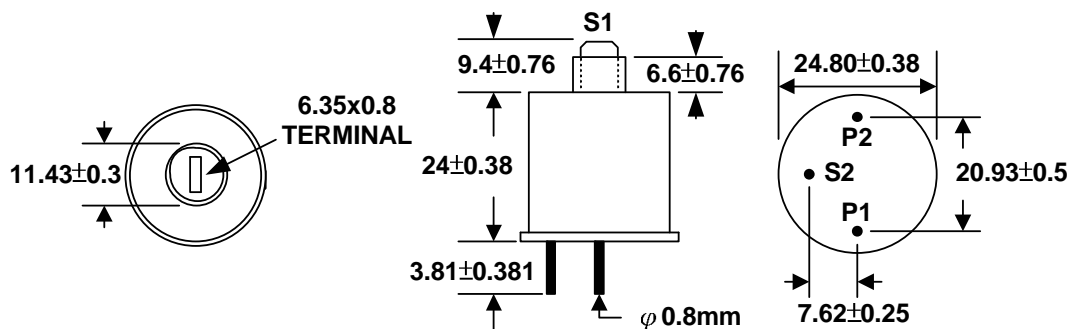
UNIT: mm

RT-749A



UNIT: mm

RT-749C



UNIT: mm

RT-749D

